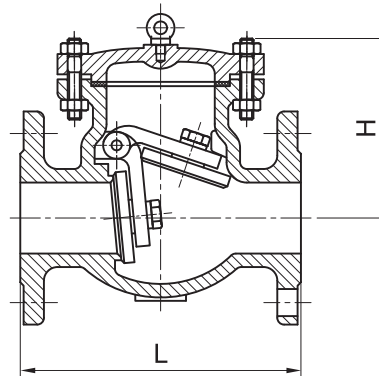


## Check Valve Swing Type BS 5153



### Material

Body	Cast iron/Ductile iron/Stainless steel
Bonnet	Cast iron/Ductile iron/Stainless steel
Disc	Cast iron/Ductile iron/Stainless steel
Disc seat ring	Brass/Bronze/Stainless steel
Body seat ring	Brass/Bronze/Stainless steel
Hinge pin	Stainless steel

Note: Other materials on request.

### Design

Face to face is according to BS 4090/BS 5153

Flange drilled is according to BS 4504 PN 10 / PN 16

### Test

unit: MPa

Working pressure	1.0	1.6
Shell pressure	1.5	2.4
Seat pressure	1.1	1.76

### Dimension

unit: mm

Size(Inch)	2"	2 1/2"	3"	4"	5"	6"	8"	10"	12"	14"	16"
L	203	216	241	292	330	356	495	622	698	787	864
H	144	169	210	260	295	326	380	440	520	650	680
PN 10 - BS 4504											
Dia. of flange	152.5	165	184	220	254	285	340	395	445	505	565
Nos. of hole	4	4	4	8	8	8	8	12	12	16	16
Dia. of hole	19	19	19	19	19	23	23	22	25	23	28
P.C.D	114.5	127	146	180	209.5	240	295	350	400	460	515
PN 16 - BS 4504											
Dia. of flange	165	185	200	220	250	285	340	405	460	520	580
Nos. of hole	4	4	8	8	8	8	12	12	12	16	16
Dia. of hole	18	18	18	18	18	22	22	26	26	26	30
P.C.D	125	145	160	180	210	240	295	355	410	470	525

Note: Other sizes/dimensions and or drilling available on request.